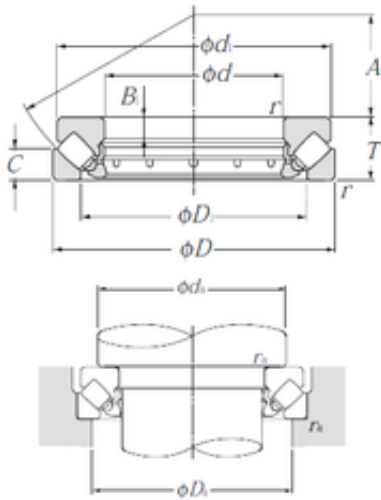




Eccentric Bearing Manufacturing



29430 Bearing 2D drawings and 3D CAD models

NTN 29430 size 300*150*90 Speed Reducing Eccentric Bearing

Bearing No. 29430

Size	150x300x90 mm
Bore Diameter	150 mm
Outer Diameter	300 mm
Width	90 mm
d	150 mm
D	300 mm
T	90 mm
B1	32 mm
C	44 mm
d1	285 mm
r min.	4 mm
A	92 mm
D1	214 mm
da min.	220 mm
Da max.	250 mm
ra max.	3 mm
Weight	30,5 Kg
Basic dynamic load rating (C)	1 280 kN
Basic static load rating (C0)	4 350 kN
Category	Roller Bearings
Inventory	0.0
Manufacturer Name	NTN
Minimum Buy Quantity	N/A
Weight / Kilogram	30.327
EAN	4547359291056



Eccentric Bearing Manufacturing

Product Group	B04311
bore diameter:	150 mm
bearing material:	Through Hardened Steel
outside diameter:	300 mm
operating temperature range:	-40 to 120 ° C
overall width:	90 mm
maximum rpm:	1100 rpm
cage type:	Machined - Two Piece
separable type:	Separable Bearing
enclosure:	Open
fillet radius:	4 mm
cage material:	Brass
series:	294
static load capacity:	4350000 N
manufacturer product page:	Click here
dynamic load capacity:	1280000 N